

HANDI-MOVE MODEL 2422/2432

# WALL-TO-WALL™ LIFT

A quick solution for toilet transfers



**SUREHANDS®**



- Portable lifting options
- Wall or floor mounted
- Easy to remove and re-use
- Perfect for areas where access is restricted
- Accommodates both the SureHands® Body Support and conventional slings
- Extendible boom arm
- Rotating range 180°
- An economical solution



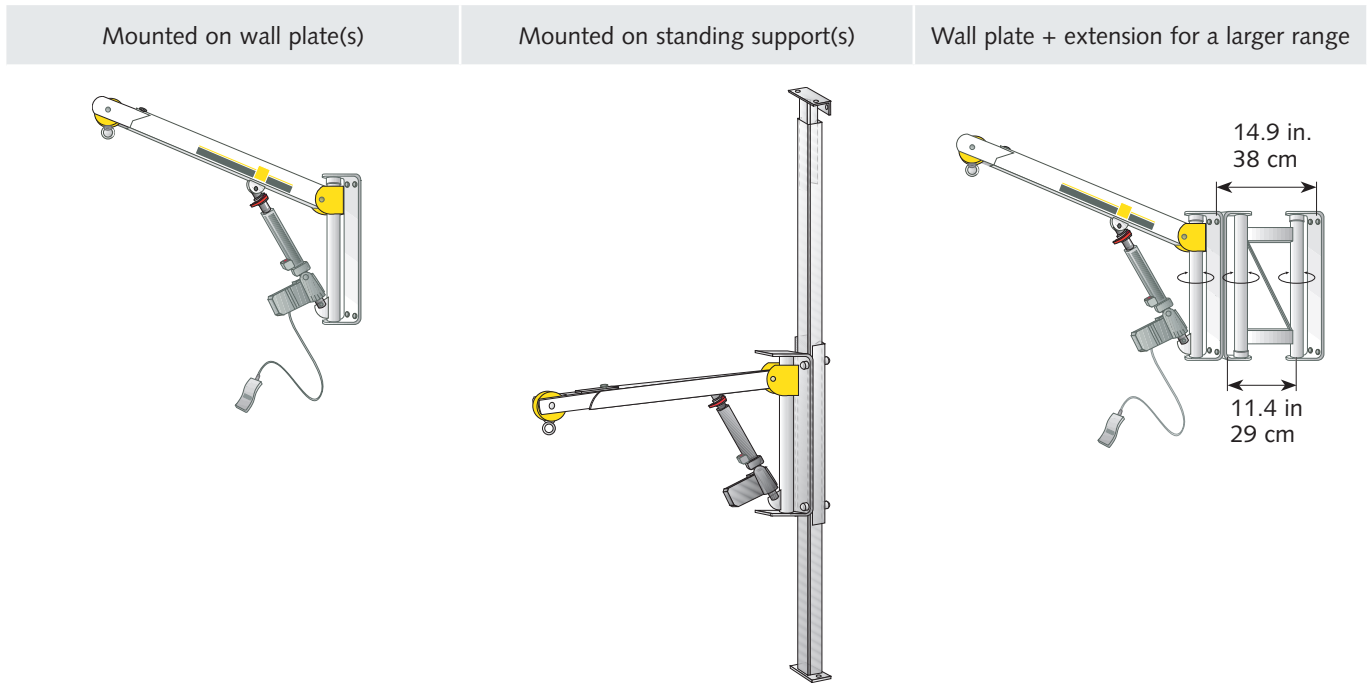
**SUREHANDS®**

SPECIALISTS IN INNOVATIVE AND RELIABLE LIFT & CARE SYSTEMS

# TECHNICAL SPECIFICATIONS



## THREE POSSIBILITIES FOR FIXATION

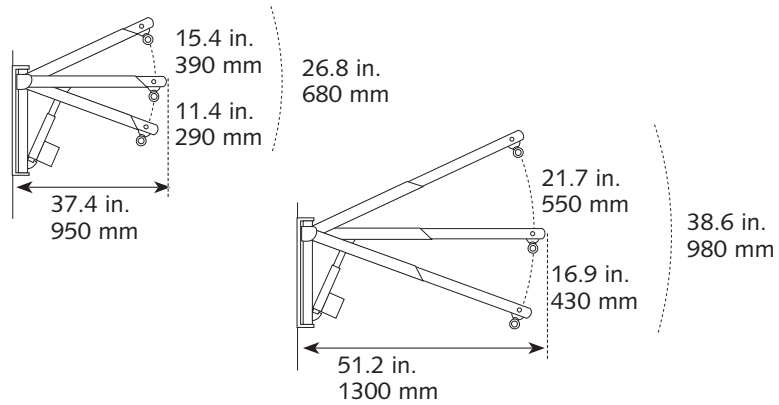


## DIMENSIONS AND SPECIFICATIONS

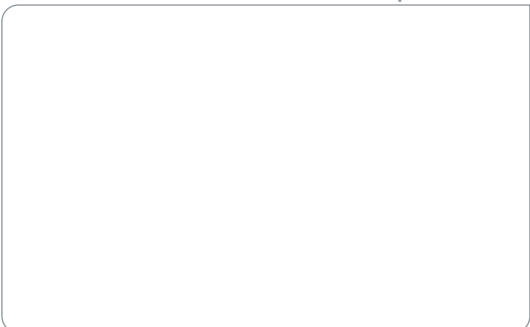
- Actuator directly on the mains power with pneumatic handcontrol
- Actuator on 24 V DC transformer with emergency power facilities and electric handcontrol

Safe working load	320 lbs. / 145 kg	
Wall plate	width	5.5 in. / 140 mm
	height	27 in. / 687 mm
Standing support	outside dimensions	3.1 x 1.7 in. / 80 x 50 mm
	max. height	118 in. 3000 mm
Boom arm	extendible	
Weight	35.3 lbs. / 16 kg	
Safety mechanism	built-in	

## TECHNICAL SPECIFICATIONS



Local Representative:



For further information on other **SUREHANDS®** Lift & Care and Self-Care Systems, or Recreational Lifts, contact:  
 SureHands Lift & Care Systems 982 Route 1, Pine Island, NY 10969  
 Tel: (800) 724-5305 Fax: (845) 258-6634 Website: [www.surehands.com](http://www.surehands.com)