

TRACK-TO-TRACK™ 2000 SERIES

PORTABLE MOTOR SYSTEM

Versatility and portability



SUREHANDS®



- Light & Compact
- Powerful, lifts up to 400 lbs
- Durable, gets you through multiple lifts between charges
- Built-in spreaderbar for Handi-Slings and built-in hook for SureHands® Body Support
- Manual control and/or control panel
- Emergency down feature
- Easy to use
- Budget friendly



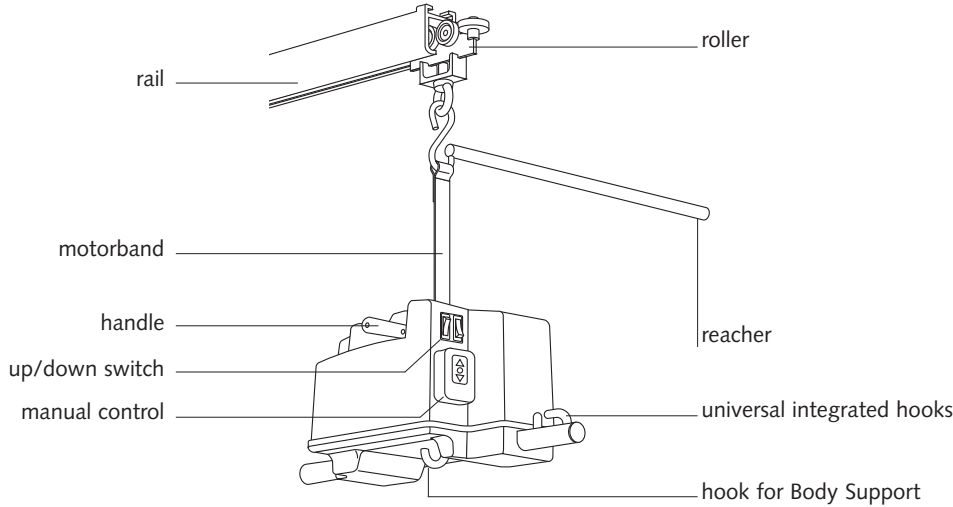
SUREHANDS®

SPECIALISTS IN INNOVATIVE AND RELIABLE LIFT & CARE SYSTEMS

TECHNICAL SPECIFICATIONS



PORTABLE MOTOR WITH RAIL

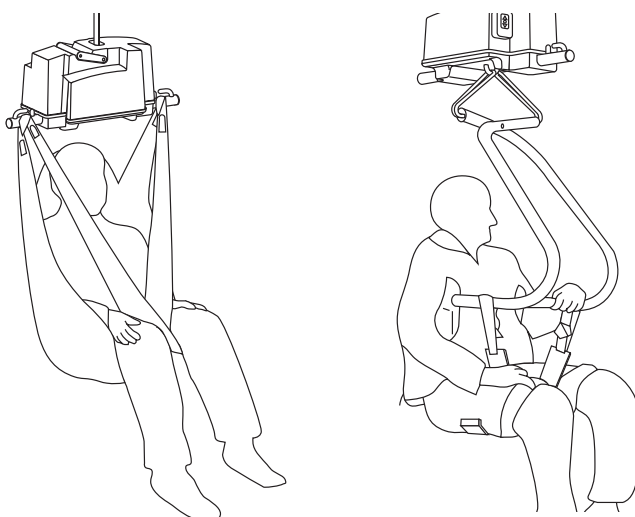


DIMENSIONS AND SPECIFICATIONS

Weight	15 Lbs - 7,350 kg
Max. Lifting Capacity	400 Lbs - 182 kg
Length.....	19.5 inch - 500 mm
Width	8 inch. - 200 mm
Height	8 inch. - 200 mm
Standard length of motorband	69 inch. - 1750 mm
Batteries	3 x 8 V
Capacity of batteries.....	3,2 Ah ea
Number of lifts with full batteries.....	65 x with 220 Lbs - 100 kg over a distance of 19.5 inch - 50 cm
Motor cover composition	ABS
Acceleration and deceleration.....	Electric
Overhead rail composition.....	Aluminum alloy, white laquered

WITH HANDI-SLINGS OR BODY SUPPORT

Thanks to the integrated hooks on both sides of the motor and the swivel hook placed centrally at the bottom, the motor can be used with all Handi-slings or with the Body Support.



Local Representative: