

HANDI-MOVE MODEL 3200

WHEELCHAIR-TO-WATER™

From wheelchair to swimming pool with only one assistant.



SUREHANDS®



- Transfers directly from wheelchair to water
- On castors for easy removal from socket and storage
- Rotates 360 degrees
- Easy to position
- Ergonomic design
- Battery powered
- Maintenance free
- Accommodates both SureHands® Body Support and slings



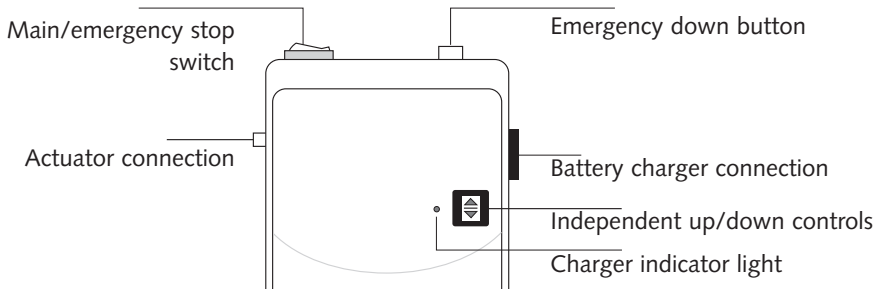
SUREHANDS®

SPECIALISTS IN INNOVATIVE AND RELIABLE LIFT & CARE SYSTEMS



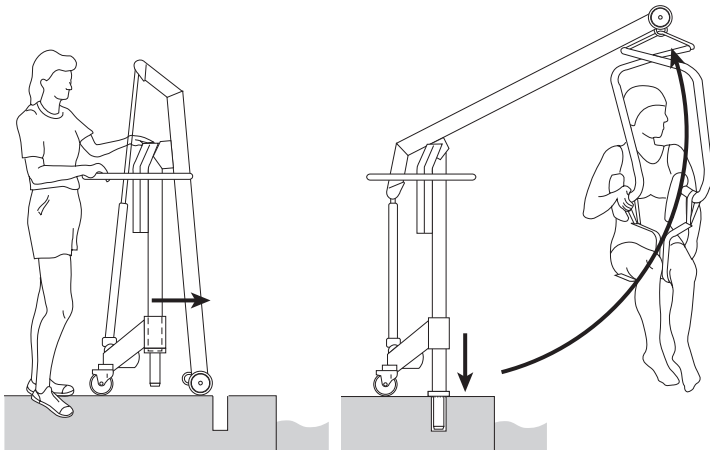
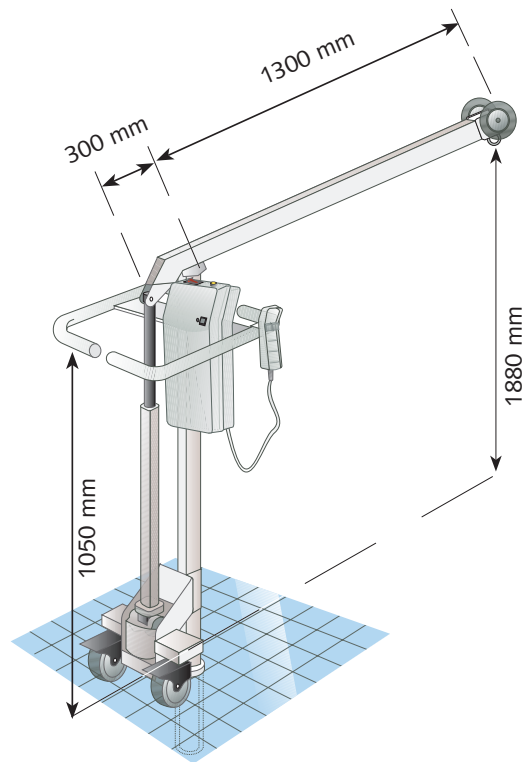
TECHNICAL SPECIFICATIONS

THREE POSSIBILITIES FOR FIXATION



DIMENSIONS AND SPECIFICATIONS

- Safe working load..... 297.6 lbs.
- Batteries 2 x 12 V – 7 Ah rechargeable
- Charger built-in
- Max. lifting height..... 74 in.
- Pool lift height (folded) 65.2 in.
- Diameter of wheels 3.9 in.
- Construction..... 316 stainless steel
- Handcontrol pneumatic



CEILING MOTOR FOR SWIMMING POOLS



Local Representative: