

HANDI-MOVE MODEL 1020

BODY SUPPORT



SUREHANDS®

The body support enables you to live more independently.



- Lifts quickly and safely
- Enables independent transfers
- From bed to bath / wheelchair / toilet...
- Leaves the back and seat entirely free
- As simple and versatile as a pair of hands
- Comfortable sitting position
- Hygienic and maintenance free
- An aid to floor exercises
- A bathing aid
- A stander, walker and rehabilitation aid



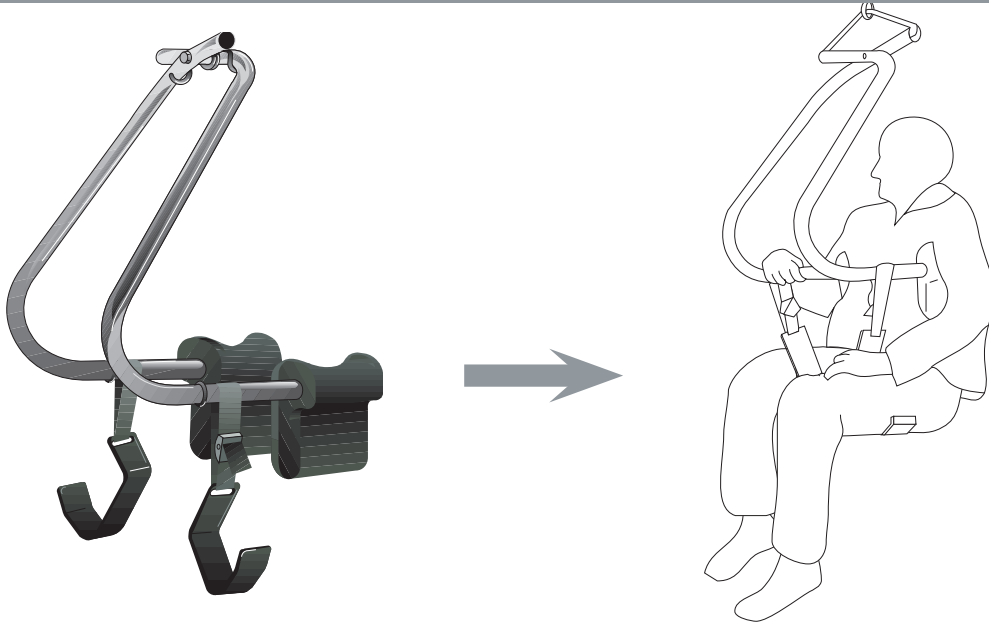
SUREHANDS®

SPECIALISTS IN INNOVATIVE AND RELIABLE LIFT & CARE SYSTEMS

TECHNICAL SPECIFICATIONS

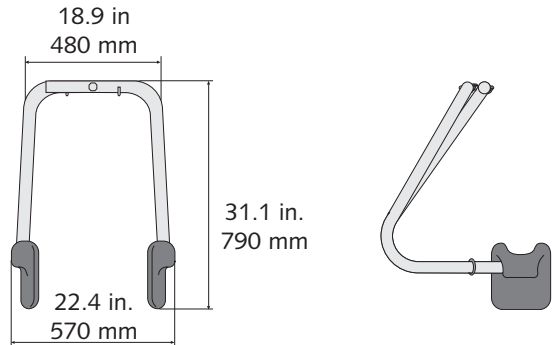


COMFORTABLE SITTING POSITION



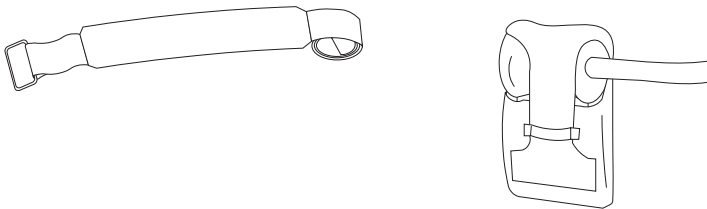
DIMENSIONS AND SPECIFICATIONS

Construction:.....316 stainless steel
 height:.....normal (N) 790 mm / 31.1 in
 small (S) 710 mm / 27.7 in
 extra-small (XS) 670 mm / 26.1 in
 Width: 18.9 in. / 480 mm / 18.9 in

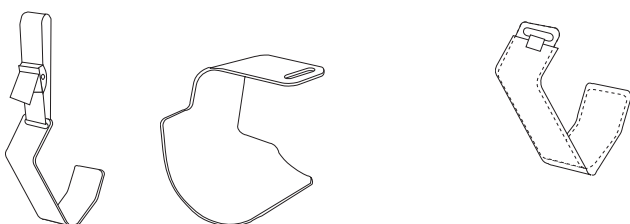


CAN BE ADAPTED TO MEET SPECIFIC NEEDS

Security band Cushions for curve-around cups



Thigh supports in different dimensions and materials Soft covers for thigh supports



Local Representative: